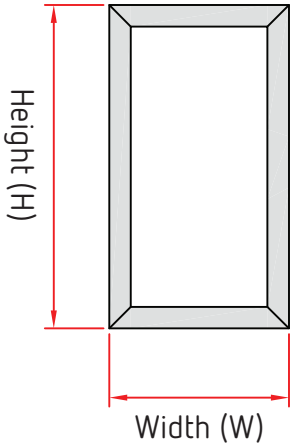


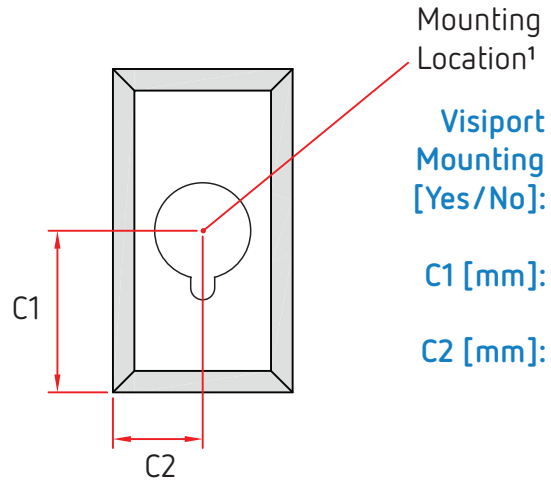


Visiport Machine Tool Safety Window Quotation | Intake Form

>> Impact Class Required <<
 EN23125 | **A1 - C3:**
 EN12417 | **100g m/s:**

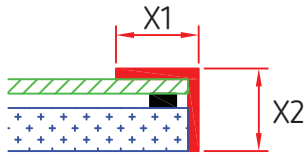


W [mm]:
H [mm]:
Frame [Yes/No]:
Frame Type [L/Z/W]:
Quantity:

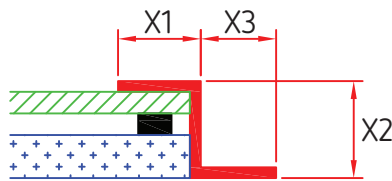


Mounting Location¹
Visiport Mounting [Yes/No]:
C1 [mm]:
C2 [mm]:

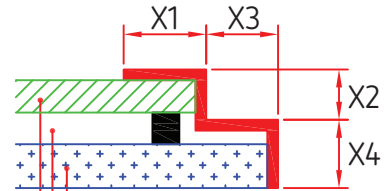
L-Type Frame



Z-Type Frame



W-Type Frame



X1 [mm]:
X2 [mm]:
X3 [mm]:
X4 [mm]:

Holes in Frame [Yes/No]:
Steel Frame² thickness [mm]:
Additional Notes:

PC thickness [mm]:
Air Gap thickness [mm]:
 (or 2-mm clear PUR)
Tempered glass thickness [mm]:

Customer Information

Company:
 Tel/Email:

Name/Title:
 Signature:
 Date:

VISIPOINT
 17824 NE 65th Street
 Redmond, WA 98052-4902
 T +001 425 558 0200
 F +001 425 558 0700
 sales@visiport.com
 www.visiport.com

Instructions:

Fill out all applicable features matching your safety window.
Provide all measurements in millimeters for greatest accuracy.
 ¹Location according to the side the mounting is to be placed.
 ²Frames made from V2A (EU) or 304 (USA) stainless steel.